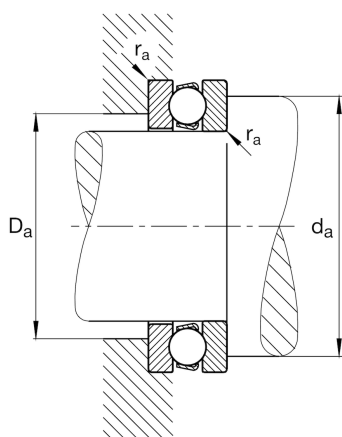


**FAG****51212**

Axial deep groove ball bearing

Schaeffler ID:
0167151010000Axial deep groove ball bearing 512, single
direction, steel sheet metal cage

Technical information

**Main Dimensions & Performance Data**

d	60 mm	Bore diameter
D	95 mm	Outside diameter
T	26 mm	Height
C_a	62,000 N	Basic dynamic load rating, axial
C_{0a}	139,000 N	Basic static load rating, axial
C_{ua}	6,300 N	Fatigue load limit, axial
n_G	4,200 1/min	Limiting speed
n_{gr}	5,300 1/min	Reference speed
	0.65 kg	Weight

Dimensions

r_{min}	1 mm	Minimum chamfer dimension
D_1	62 mm	Bore diameter housing washer
d_1	95 mm	Lip diameter shaft washer

Mounting dimensions

$d_{a min}$	81 mm	Minimum diameter shaft shoulder
$D_{a max}$	74 mm	Maximum diameter of housing shoulder
$r_{a max}$	1 mm	Maximum recess radius

Additional information

A	0.12	Minimum load factor
---	------	---------------------

Temperature range

T_{min}	-30 °C	Operating temperature min.
T_{max}	150 °C	Operating temperature max.